



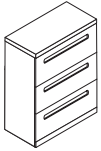
Consumer Price List #26 – Effective August 1, 2008



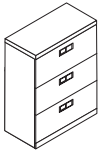
overview page 199



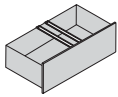
lateral files S-series page 200



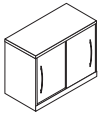
lateral files P-series page 202



lateral files L-series page 204



lateral file accessories & tops page 206



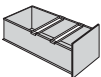
over-file storage page 208



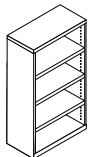
vertical files norwalk series page 210



vertical files P-series page 211



vertical files accessories & tops page 212



bookcases page 214

filing and storage

product overview

Vertical Files — With a track record of dependability that spans well over half a century, these rugged steel files feature 6 vertical uprights, 14 GA. tie bar gussets that maintain strong, straight drawer openings, full suspension cradles, 8 steel wheel roller bearings and 2 steel idler bearings per drawer, satin brushed aluminum hardware, and standard thumb latches.

Lateral Files — S Series, P Series and L Series Lateral files offer comprehensive solutions for a variety of office filing situations while maintaining a beautiful and consistent appearance. Whether beneath a work surface, within a project center, or in a group of central files, the clean lines and durable construction create a balance of form and function that remains consistent throughout the entire office. While a handsome addition to any office, these well-designed files retain their value by remaining completely scalable to a growing office – start with personal filing, add volume with a bank of files, expand their function with overhead storage, create workstation enclosures, add counters complete with laminate tops – as the filing needs of your office grow, the functionality of these lateral files grows right with it.

lateral file drawers and roll-out shelves

All McDowell-Craig lateral file drawers and roll-out shelves operate on steel roller ball bearings that allow for full extension and maximum accessibility to contents. 4 and 5 drawer files have torque plates to ensure squareness and straight drawer openings. A variety of drawers and / or shelves are available; additionally, different drawer and / or shelf arrangements may be made in the field at any time — including the addition or removal of receding doors. All McDowell-Craig lateral files are engineered to be moved fully loaded.

finishes

Standard Enamel — All McDowell-Craig files are available in a variety of color coordinated, high solid baked enamel finishes. *See McDowell-Craig Enamel Selection Guide.*

Special Enamel — All McDowell-Craig files may be ordered in factory approved special high solid baked enamel finishes — add 8% to price of unit + \$850 set-up and mixing charge per color per order. **Note:** *written factory approval must accompany your purchase order.*

laminated tops

Standard Tops — Tops are banded or self-edged and available in a variety of wood grains and patterns. *See McDowell-Craig Plastic Laminate Selection Guide.*

Radius Front Tops — Radius front tops may be ordered in lieu of the standard square self-edged tops. These tops are also available in a variety of wood grains and patterns. *See McDowell-Craig Plastic Laminate Selection Guide.*

Special Laminates — Tops may be ordered in factory approved special laminates — add 8% to price of unit + \$500 per laminate pattern per order. **Note:** *written factory approval must accompany your purchase order.*

locks

McDowell-Craig files, pedestals and lockers are available with a central locking mechanism which controls all drawers and / or receding doors. For additional safety, all lateral files are equipped with an interlock mechanism which prevents more than one drawer or shelf to be opened at a time.

S-series lateral file

please specify:

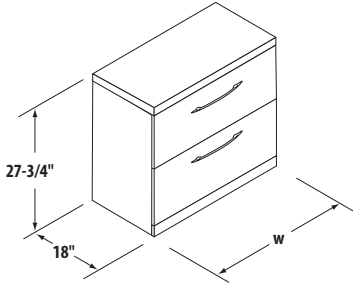
- model number
- enamel color
- optional drawers (if applicable)

see also:

- lateral file accessories (page 206)
- Enamel Selection Guide
- over-files (page 208)

S-series lateral file

S-series lateral files feature an interlock system which allows only one drawer to be opened at a time. Comes standard with brushed metal pulls and front-to-back letter filing – option DHF (see next page for other options).



2 drawer lateral file –

May be used alone, placed beneath 29" or higher worksurfaces or used to support worksurfaces.

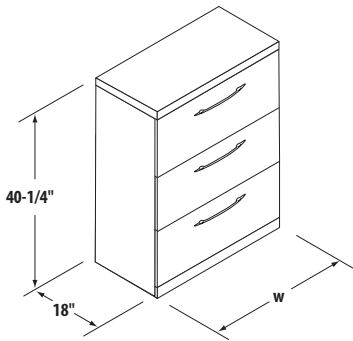
Counterweights recommended for freestanding use (see page 207).

no lock

model #	w	lbs	list price
S30-200	30"	115	\$730
S36-200	36"	128	771
S42-200	42"	141	840

with lock

model #	w	lbs	list price
S30-201	30"	118	\$782
S36-201	36"	131	822
S42-201	42"	144	891



3 drawer lateral file

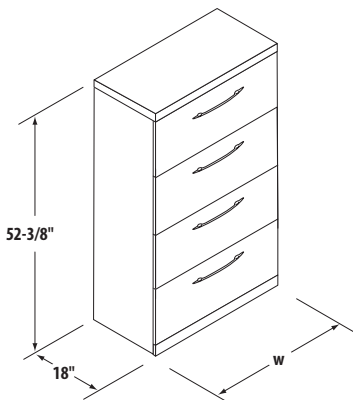
Counterweights recommended for freestanding use (see page 207).

no lock

model #	w	lbs	list price
S30-300	30"	155	\$1041
S36-300	36"	172	1081
S42-300	42"	189	1150

with lock

model #	w	lbs	list price
S30-301	30"	159	\$1098
S36-301	36"	176	1139
S42-301	42"	193	1208



4 drawer lateral file

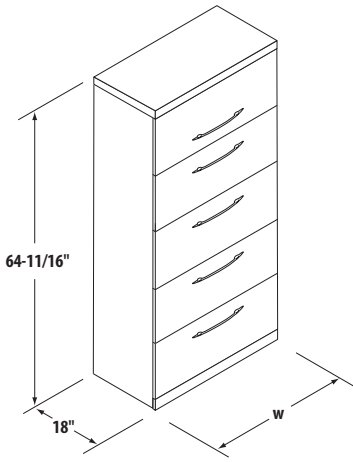
no lock

model #	w	lbs	list price
S30-400	30"	193	\$1346
S36-400	36"	214	1397
S42-400	42"	235	1455

with lock

model #	w	lbs	list price
S30-401	30"	198	\$1420
S36-401	36"	219	1472
S42-401	42"	240	1530





5 drawer lateral file—

Comes with receding door and roll-out shelf at top opening.

Note: top roll-out shelf can be substituted with a drawer at no upcharge. Please specify: "drawers all openings"

no lock

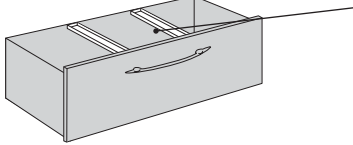
model #	w	lbs	list price
S30-500	30"	234	\$1662
S36-500	36"	259	1708
S42-500	42"	284	1777

with lock

model #	w	lbs	list price
S30-501	30"	240	\$1742
S36-501	36"	265	1788
S42-501	42"	290	1857

standard drawer –

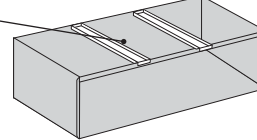
hanging—
front-to-back **letter** filing



Note: hanging folder bars are field removable for side-to-side legal filing and adjustable for letter or legal front-to-back filing.

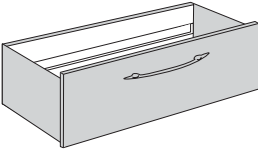
standard shelf (top opening 5 drawer) –

hanging—
front-to-back **letter** filing

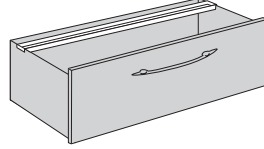


optional drawers – add drawer option as a separate line item. **example:** 1 –S30-201 \$782
2 –SDHFL-30 \$86

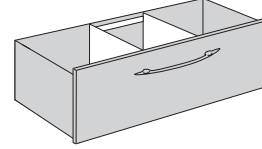
hanging—
side-to-side **legal** filing



hanging—
side-to-side **letter** filing



divider (42" drawer only)
front-to-back **letter** filing



model #	w	lbs	list price
SDHFC-30	30"	2	N/C
SDHFC-36	36"	2	N/C
SDHFC-42	42"	2	N/C

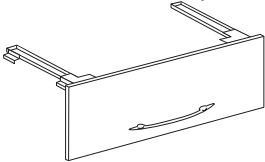
model #	w	lbs	list price
SDHFL-30	30"	2	\$43
SDHFL-36	36"	2	43
SDHFL-42	42"	2	43

model #	w	lbs	list price
SOC1-42	42"	4	\$43

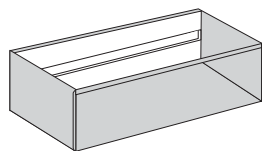
roll-out shelves can be placed in any or all openings.

roll-out shelf options – price includes receding door. Add drawer option as a separate line item. **example:** 1 –S42-401 \$1530
4 –SSHFC-42 \$668

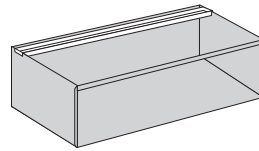
receding door—
comes with roll-out shelf options



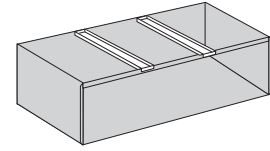
hanging—
side-to-side **legal** filing



hanging—
side-to-side **letter** filing



hanging—
front-to-back **letter** filing



model #	w	lbs	list price
SSHFC-30	30"	2	\$167
SSHFC-36	36"	2	167
SSHFC-42	42"	2	167

model #	w	lbs	list price
SSHFL-30	30"	4	\$213
SSHFL-36	36"	4	213
SSHFL-42	42"	4	213

model #	w	lbs	list price
SSHFC-30	30"	4	\$167
SSHFC-36	36"	4	167
SSHFC-42	42"	4	167



please specify:

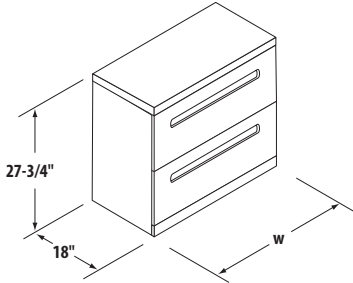
- model number
- enamel color
- optional drawers (if applicable)

see also:

- lateral file accessories (page 206)
- Enamel Selection Guide
- over-files (page 208)

P-series lateral file

P-series lateral files feature an interlock system which allows only one drawer to be opened at a time. Comes standard with recessed pulls and front-to-back letter filing – option DHF (see next page for other options).



2 drawer lateral file –

May be used alone, placed beneath 29" or higher worksurfaces or used to support worksurfaces.

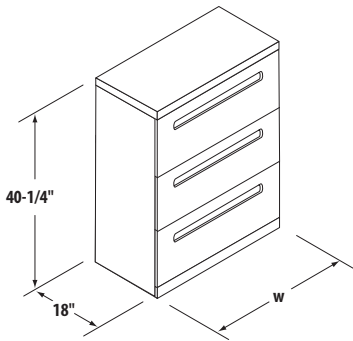
Counterweights recommended for freestanding use (see page 207).

no lock

model #	w	lbs	list price
P30-200	30"	115	\$730
P36-200	36"	128	771
P42-200	42"	141	840

with lock

model #	w	lbs	list price
P30-201	30"	118	\$782
P36-201	36"	131	822
P42-201	42"	144	891



3 drawer lateral file

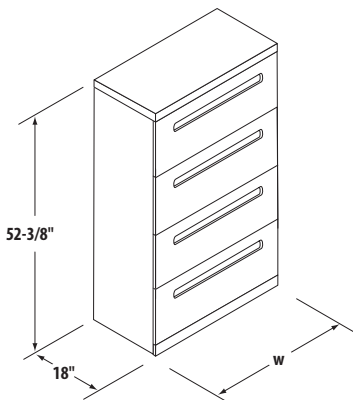
Counterweights recommended for freestanding use (see page 207).

no lock

model #	w	lbs	list price
P30-300	30"	155	\$1041
P36-300	36"	172	1081
P42-300	42"	189	1150

with lock

model #	w	lbs	list price
P30-301	30"	159	\$1098
P36-301	36"	176	1139
P42-301	42"	193	1208



4 drawer lateral file

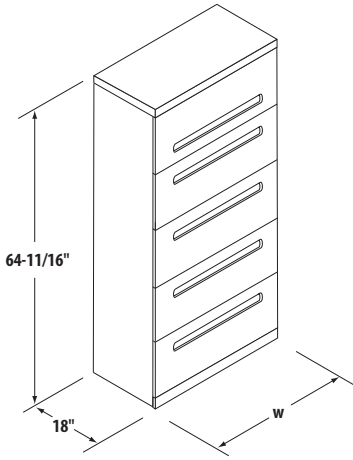
no lock

model #	w	lbs	list price
P30-400	30"	193	\$1346
P36-400	36"	214	1397
P42-400	42"	235	1455

with lock

model #	w	lbs	list price
P30-401	30"	198	\$1420
P36-401	36"	219	1472
P42-401	42"	240	1530





5 drawer lateral file—

Comes with receding door and roll-out shelf at top opening.

Note: top roll-out shelf can be substituted with a drawer at no upcharge. Please specify: "drawers all openings"

no lock

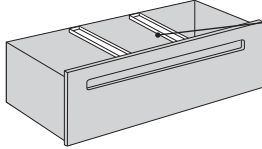
model #	w	lbs	list price
P30-500	30"	234	\$1662
P36-500	36"	259	1708
P42-500	42"	284	1777

with lock

model #	w	lbs	list price
P30-501	30"	240	\$1742
P36-501	36"	265	1788
P42-501	42"	290	1857

standard drawer –

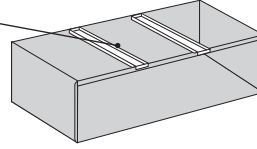
hanging—
front-to-back **letter** filing



Note: hanging folder bars are field removable for side-to-side legal filing and adjustable for letter or legal front-to-back filing.

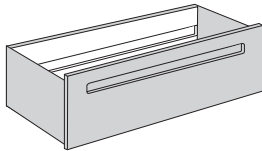
standard shelf (top opening 5 drawer) –

hanging—
front-to-back **letter** filing

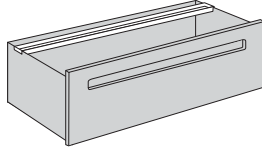


optional drawers – add drawer option as a separate line item. **example:** 1 –P30-201 \$782
2 –PDHFL-30 \$86

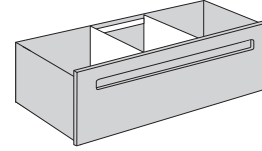
hanging—
side-to-side **legal** filing



hanging—
side-to-side **letter** filing



divider (42" drawer only)
front-to-back **letter** filing



model #	w	lbs	list price
PDHFC-30	30"	2	N/C
PDHFC-36	36"	2	N/C
PDHFC-42	42"	2	N/C

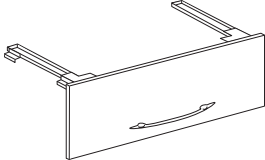
model #	w	lbs	list price
PDHFL-30	30"	2	\$43
PDHFL-36	36"	2	43
PDHFL-42	42"	2	43

model #	w	lbs	list price
POC1-42	42"	4	\$43

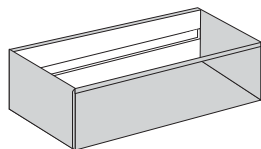
roll-out shelves can be placed in any or all openings.

roll-out shelf options – price includes receding door. Add drawer option as a separate line item. **example:** 1 –P42-401 \$1530
4 –PSHF-42 \$668

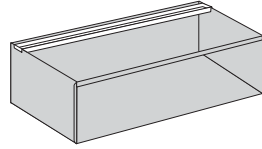
receding door—
comes with roll-out shelf options



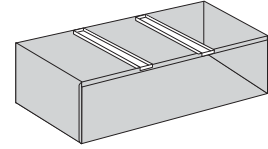
hanging—
side-to-side **legal** filing



hanging—
side-to-side **letter** filing



hanging—
front-to-back **letter** filing



model #	w	lbs	list price
PSHFC-30	30"	2	\$167
PSHFC-36	36"	2	167
PSHFC-42	42"	2	167

model #	w	lbs	list price
PSHFL-30	30"	4	\$213
PSHFL-36	36"	4	213
PSHFL-42	42"	4	213

model #	w	lbs	list price
PSHF-30	30"	4	\$167
PSHF-36	36"	4	167
PSHF-42	42"	4	167



L-series lateral file

please specify:

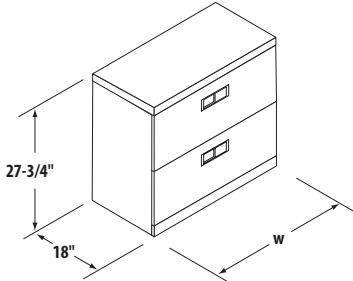
- model number
- enamel color
- optional drawers (when applicable)

see also:

- lateral file accessories (page 206)
- Enamel Selection Guide
- over-files (page 208)

L-series lateral file

L-series lateral files feature an interlock system which allows only one drawer to be opened at a time. Comes standard with chrome-framed inset pulls and front-to-back letter filing – option DHF (see next page for other options).



2 drawer lateral file –

May be used alone, placed beneath 29" or higher worksurfaces or used to support worksurfaces.

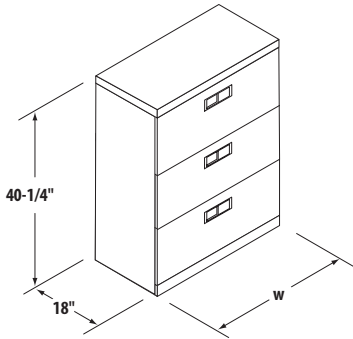
Counterweights recommended for freestanding use (see page 207).

no lock

model #	w	lbs	list price
L30-200	30"	115	\$730
L36-200	36"	128	771
L42-200	42"	141	840

with lock

model #	w	lbs	list price
L30-201	30"	118	\$782
L36-201	36"	131	822
L42-201	42"	144	891



3 drawer lateral file

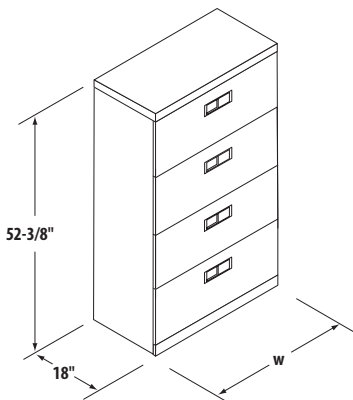
Counterweights recommended for freestanding use (see page 207).

no lock

model #	w	lbs	list price
L30-300	30"	155	\$1041
L36-300	36"	172	1081
L42-300	42"	189	1150

with lock

model #	w	lbs	list price
L30-301	30"	159	\$1098
L36-301	36"	176	1139
L42-301	42"	193	1208



4 drawer lateral file

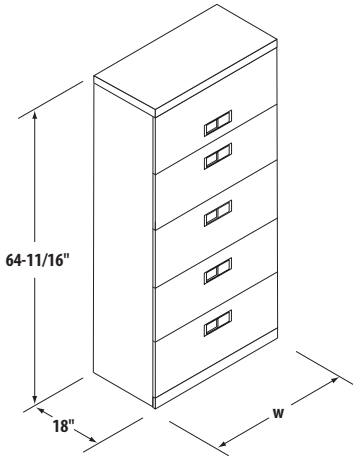
no lock

model #	w	lbs	list price
L30-400	30"	193	\$1346
L36-400	36"	214	1397
L42-400	42"	235	1455

with lock

model #	w	lbs	list price
L30-401	30"	198	\$1420
L36-401	36"	219	1472
L42-401	42"	240	1530





5 drawer lateral file—

Comes with receding door and roll-out shelf at top opening.

Note: top roll-out shelf can be substituted with a drawer at no upcharge. Please specify: “drawers all openings”

no lock

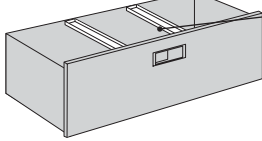
model #	w	lbs	list price
L30-500	30"	234	\$1662
L36-500	36"	259	1708
L42-500	42"	284	1777

with lock

model #	w	lbs	list price
L30-501	30"	240	\$1742
L36-501	36"	265	1788
L42-501	42"	290	1857

standard drawer –

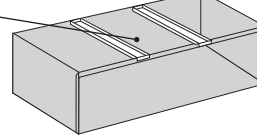
hanging—
front-to-back **letter** filing



Note: hanging folder bars are field removable for side-to-side legal filing and adjustable for letter or legal front-to-back filing.

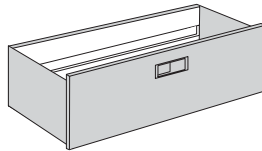
standard shelf (top opening 5 drawer) –

hanging—
front-to-back **letter** filing

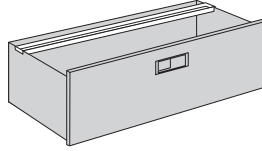


optional drawers – add drawer option as a separate line item. **example:** 1–L30-201 \$782
2–LDHFL-30 \$86

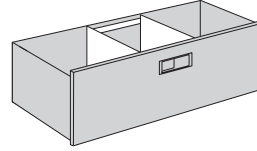
hanging—
side-to-side **legal** filing



hanging—
side-to-side **letter** filing



divider (42" drawer only)
front-to-back **letter** filing



model #	w	lbs	list price
LDHFC-30	30"	2	N/C
LDHFC-36	36"	2	N/C
LDHFC-42	42"	2	N/C

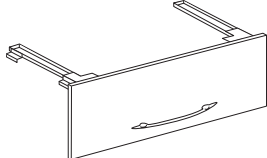
model #	w	lbs	list price
LDHFL-30	30"	2	\$43
LDHFL-36	36"	2	43
LDHFL-42	42"	2	43

model #	w	lbs	list price
LOC1-42	42"	4	\$43

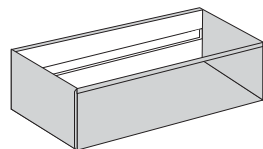
roll-out shelves can be placed in any or all openings.

roll-out shelf options – price includes receding door. Add drawer option as a separate line item. **example:** 1–L42-401 \$1530
4–LSHF-42 \$668

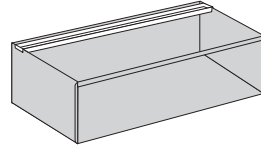
receding door—
comes with roll-out shelf options



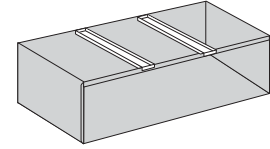
hanging—
side-to-side **legal** filing



hanging—
side-to-side **letter** filing



hanging—
front-to-back **letter** filing



model #	w	lbs	list price
LSHFC-30	30"	2	\$167
LSHFC-36	36"	2	167
LSHFC-42	42"	2	167

model #	w	lbs	list price
LSHFL-30	30"	4	\$213
LSHFL-36	36"	4	213
LSHFL-42	42"	4	213

model #	w	lbs	list price
LSHF-30	30"	4	\$167
LSHF-36	36"	4	167
LSHF-42	42"	4	167

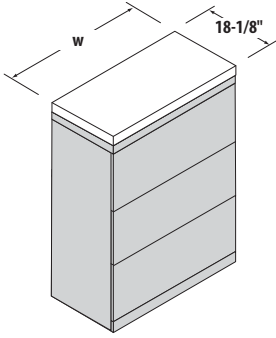


please specify:

- model number
- laminate (*file tops*)
- edge type
- edge color ("B")
- enamel (*tube leg*)

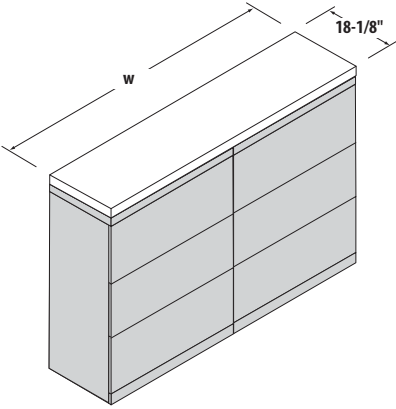
see also:

- *Laminate Selection Guide*
- *Edge & Cableway Guide*



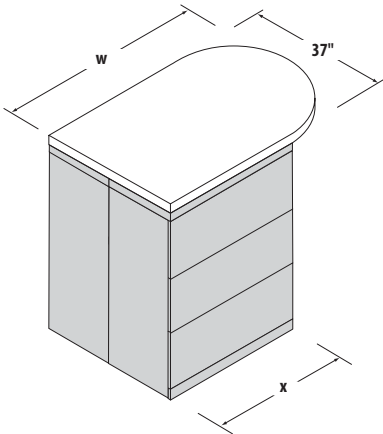
single file top

model #	w	lbs	"B" (banded) and "S" (self)
__T-3018	30-1/8"	21	\$190
__T-3618	36-1/8"	24	196
__T-4218	42-1/8"	27	242



multiple file top

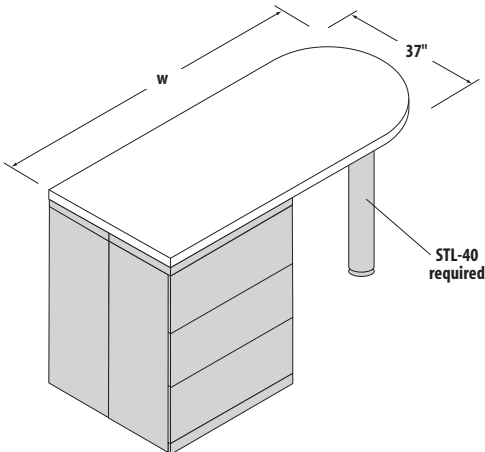
model #	w	lbs	"B" (banded) and "S" (self)
__T-6018	60-1/8"	36	\$282
__T-6618	66-1/8"	40	345
__T-7218	72-1/8"	44	368
__T-7818	78-1/8"	49	431
__T-8418	84-1/8"	54	483



short peninsula –

Attaches to 2 ea. 3-drawer lateral files assembled back-to-back. Creates a standing height meeting/project center.

model #	w	lbs	"B" (banded) and "S" (self)
P__-4837	48"	53	\$529
P__-5437	54"	59	592
P__-6037	60"	67	633



long peninsula

STL-40 required

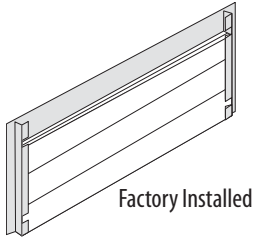
model #	w	lbs	"B" (banded) and "S" (self)
P__-6637	66"	73	\$713
P__-7237	72"	79	788
P__-7837	78"	85	1001
P__-8437	84"	91	1029

NOTE: model # is completed by filling in blank space with edge type. (example: PB-8437 = \$1029)

standing height tube leg

model #	h	lbs	list price
STL-40	40"	20	\$190



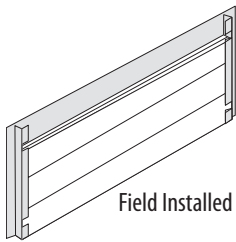


Factory Installed

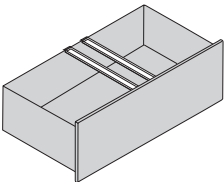
counterweights –

Counterweights fit into guides on the inside of the file cabinet (*just behind the bottom drawer*).

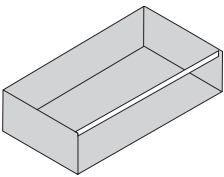
Recommended for freestanding use on all files to prevent tipping. Price includes 6ea. plates (3 high and 2 deep).



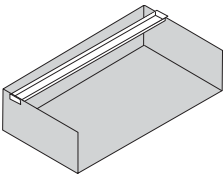
Field Installed



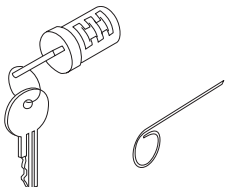
hanging folder crossbar –
for front-to-back filing.



hanging folder frontbar –
Roll-out shelf only.



hanging folder back bar –
for side-to-side letter filing.



additional lock core, keys & pick – field installation only. Includes core, pick and two keys (*keyed random or specify #*)

additional keys – specify lock number when ordering.

2, 3, & 4 drawer files

model #	file width	lbs	list price
CW-30	30"	47	\$220
CW-36	36"	58	257
CW-42	42"	69	288

5 drawer files

model #	file width	lbs	list price
5CW-30	30"	62	\$283
5CW-36	36"	77	325
5CW-42	42"	92	367

2, 3, & 4 drawer files

model #	file width	lbs	list price
FCW-30	30"	50	\$270
FCW-36	36"	61	305
FCW-42	42"	72	335

5 drawer files

model #	file width	lbs	list price
F5CW-30	30"	66	\$330
F5CW-36	36"	81	370
F5CW-42	42"	96	410

model #	lbs	list price
HFB-F	1	\$15 ea.

model #	lbs	list price
HFB-30	1.25	\$15
HFB-36	1.5	15
HFB-42	1.75	15

model #	file width	lbs	list price
HFBB-30	30"	2	\$43
HFBB-36	36"	2	43
HFBB-42	42"	2	43

model #	lbs	list price
LC-1	4oz	\$27

model #	lbs	list price
KO-F	2oz	\$15



lateral file over-file storage

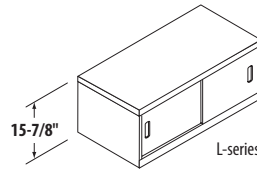
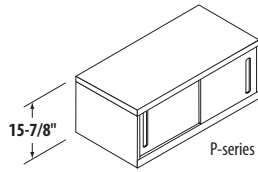
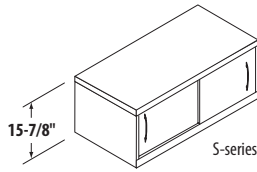
please specify:

- model number
- enamel

see also:

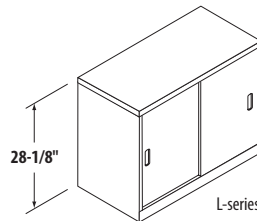
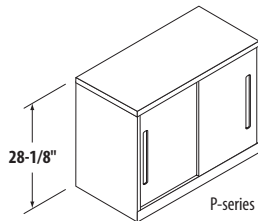
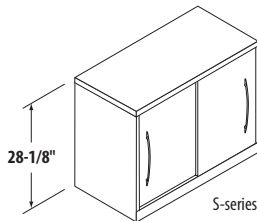
- Enamel Selection Guide

single over-file – with sliding doors. For optional lock, add “L” to model number and add \$60 to list price.



model #	model #	model #	file width	d	lbs	list price
S30-1618D	P30-1618D	L30-1618D	30"	18"	53	\$489
S36-1618D	P36-1618D	L36-1618D	36"	18"	58	518
S42-1618D	P42-1618D	L42-1618D	42"	18"	68	552

double over-file – with sliding doors and one adjustable shelf. For optional lock, add “L” to model number and add \$60 to list price.



model #	model #	model #	file width	d	lbs	list price
S30-2818D	P30-2818D	L30-2818D	30"	18"	78	\$765
S36-2818D	P36-2818D	L36-2818D	36"	18"	84	799
S42-2818D	P42-2818D	L42-2818D	42"	18"	90	828





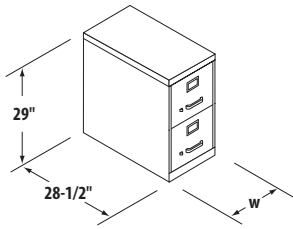
**norwalk
vertical file**

please specify:

- model number
- enamel color

see also:

- vertical file options (page 212)
- Enamel Selection Guide

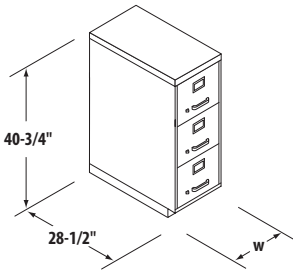


2 drawer vertical file –

Norwalk vertical files come standard with **high-sided drawers** to accommodate hanging folders.

no lock
with lock

letter width			
model #	w	lbs	list price
1200	15"	91	\$512
1201	15"	93	587

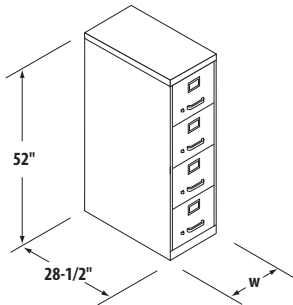


3 drawer "toe space" vertical file –

Available without toe space base at no charge (please specify "minus base").

no lock
with lock

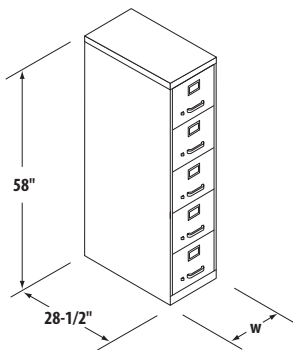
legal width			
model #	w	lbs	list price
1202	18"	100	\$558
1203	18"	102	633



4 drawer vertical file

no lock
with lock

letter width			
model #	w	lbs	list price
1300	15"	132	\$673
1301	15"	134	748



5 drawer vertical file

no lock
with lock

legal width			
model #	w	lbs	list price
1302	18"	144	\$725
1303	18"	146	805

no lock
with lock

letter width			
model #	w	lbs	list price
1400	15"	166	\$805
1401	15"	169	886

no lock
with lock

legal width			
model #	w	lbs	list price
1402	18"	180	\$863
1403	18"	183	937

no lock
with lock

letter width			
model #	w	lbs	list price
1500	15"	194	\$1001
1501	15"	196	1075

legal width			
model #	w	lbs	list price
1502	18"	204	\$1058
1503	18"	206	1133



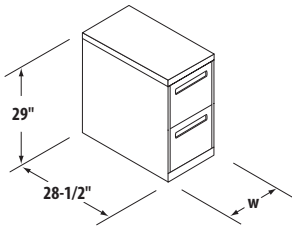
P-series vertical file

please specify:

- model number
- enamel color

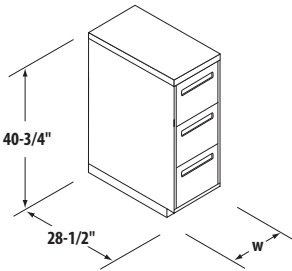
see also:

- vertical file options (page 212)
- *Enamel Selection Guide*



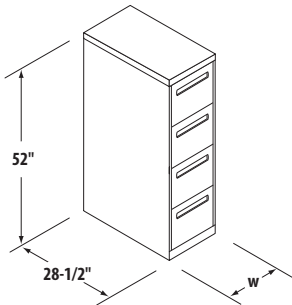
2 drawer vertical file –

P-series vertical files come standard with **high-sided drawers** to accommodate hanging folders.

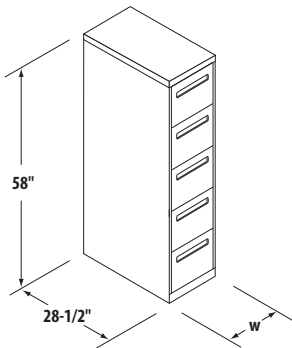


3 drawer “toe space” vertical file –

Available without toe space base at no charge (please specify “minus base”).



4 drawer vertical file



5 drawer vertical file

letter width

	model #	w	lbs	list price
no lock	P-1200	15"	91	\$512
with lock	P-1201	15"	93	587

legal width

	model #	w	lbs	list price
no lock	P-1202	18"	100	\$558
with lock	P-1203	18"	102	633

letter width

	model #	w	lbs	list price
no lock	P-1300	15"	132	\$673
with lock	P-1301	15"	134	748

legal width

	model #	w	lbs	list price
no lock	P-1302	18"	144	\$725
with lock	P-1303	18"	146	805

letter width

	model #	w	lbs	list price
no lock	P-1400	15"	166	\$805
with lock	P-1401	15"	169	886

legal width

	model #	w	lbs	list price
no lock	P-1402	18"	180	\$863
with lock	P-1403	18"	183	937

letter width

	model #	w	lbs	list price
no lock	P-1500	15"	194	\$1001
with lock	P-1501	15"	196	1075

legal width

	model #	w	lbs	list price
no lock	P-1502	18"	204	\$1058
with lock	P-1503	18"	206	1133



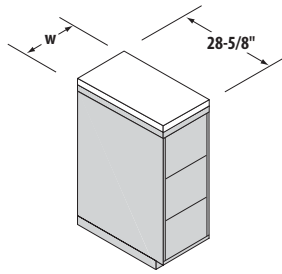
vertical file accessories & drawer options

please specify:

- model number
- laminate (*file tops*)
- factory installation (*file tops*)

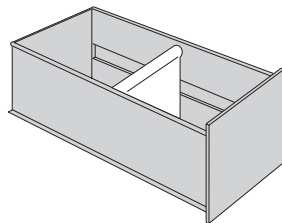
see also:

- *Laminate Selection Guide*



vertical file top

model #	w	lbs	"B" Banded & "S" Self
__T-1528	15" (letter)	19	\$190
__T-1828	18" (legal)	23	207

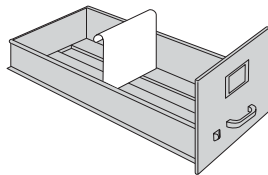


high-sided / dual-function drawer –

For hanging folder filing and compressor filing. Specify as a separate line item.

Example: 1-1401 = \$886
4-DFD-L = \$200

model #	w	lbs	list price
DFD-L	12" (letter)	5	\$50
DFD-C	15" (legal)	6	55

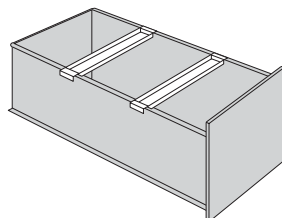


optional drawer compressor –

specify as a separate line item.

Example: 1-1200 = \$587
2-COM-L = \$58

model #	w	lbs	list price
COM-L	12" (letter)	2	\$29
COM-C	15" (legal)	2	29



dual hanging cross bars –

file drawer option. Converts letter to side-to-side legal. High sided drawer only.

model #	lbs	list price
F-HFB-C	1	\$30

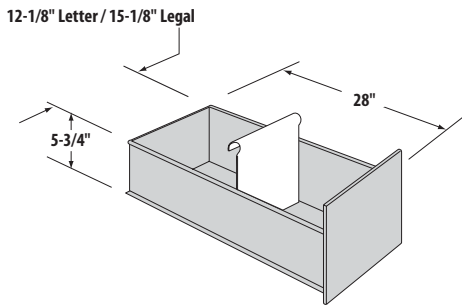


additional keys –

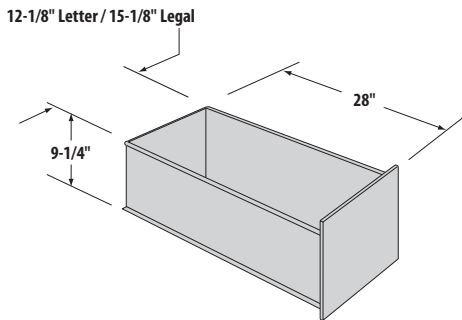
specify lock number when ordering

model #	lbs	list price
KO-F	2oz	\$15





compressor drawer



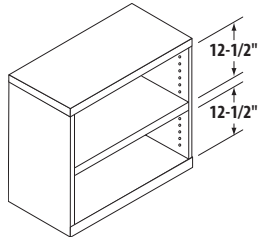
high sided & dual function drawer

please specify:

- model number
- enamel color

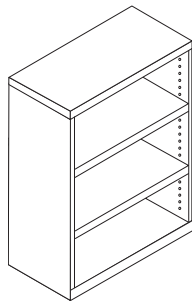
steel bookcases

Heavy gauge, double wall construction. Welded and brazed on all eight-corners. Multi-formed steel shelves adjust on 1/2" increments and hold up under heavy loads. Simply put, these steel bookcases are the finest anywhere. Bookcases come standard with height adjustable shelf(s) (additional shelves available - see next page).



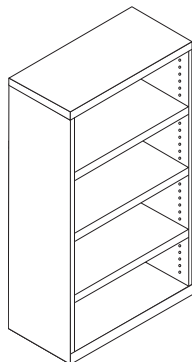
2 shelf –
fixed bottom and 1ea.
adjustable shelf included.
12-1/2" high shelf space.

model #	w	d	h	lbs	list price
NBC3630	35"	13-5/8"	30"	46	\$374



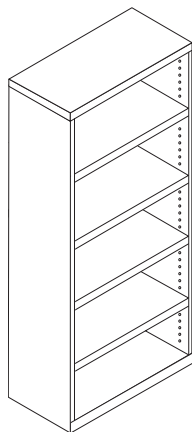
3 shelf –
fixed bottom and 2ea.
adjustable shelves included.
12-1/2" high shelf space.

model #	w	d	h	lbs	list price
NBC3643	35"	13-5/8"	43-1/2"	66	\$466



4 shelf –
fixed bottom and 3ea.
adjustable shelves included.
12-1/2" high shelf space.

model #	w	d	h	lbs	list price
NBC3657	35"	13-5/8"	57"	87	\$592



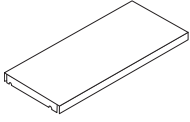
5 shelf –
fixed bottom and 4ea.
adjustable shelves included.
12-1/2" high shelf space.

model #	w	d	h	lbs	list price
NBC3670	35"	13-5/8"	70-1/2"	107	\$811



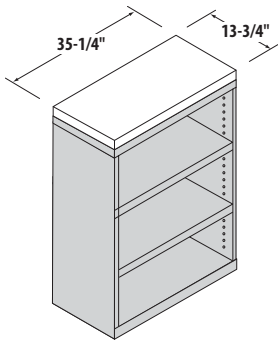
please specify:

- model number
- enamel color
- laminate (top)



additional shelf –
mounting brackets included.

<i>model #</i>	<i>shelf width</i>	<i>lbs</i>	<i>list price</i>
NBC-SHELF	33"	5	\$47



bookcase top –
specify laminate.

<i>model #</i>	<i>description</i>	<i>lbs</i>	<i>list price</i>
ST-3514	self-edge laminate bookcase top	16	\$158
BT-3514	banded-edge laminate bookcase top	16	179



www.mcdowellcraig.com

13146 Firestone Blvd., Norwalk, California 90650 • Phone: 562.921.4441 • Fax: 562.921.9648